

Instructions



1700F02 Portable Cabinet Assembly 062-8897-06

Warning

The servicing instructions are for use by qualified personnel only. To avoid personal injury, do not perform any servicing unless you are qualified to do so. Refer to all safety summaries prior to performing service.

www.tektronix.com



062889706

Copyright © Tektronix, Inc. All rights reserved.

Tektronix products are covered by U.S. and foreign patents, issued and pending. Information in this publication supercedes that in all previously published material. Specifications and price change privileges reserved.

Tektronix, Inc., P.O. Box 500, Beaverton, OR 97077

TEKTRONIX and TEK are registered trademarks of Tektronix, Inc.

Service Safety Summary

Only qualified personnel should perform service procedures. Read this *Service Safety Summary* and the *General Safety Summary* before performing any service procedures.

Do Not Service Alone. Do not perform internal service or adjustments of this product unless another person capable of rendering first aid and resuscitation is present.

Disconnect Power. To avoid electric shock, switch off the instrument power, then disconnect the power cord from the mains power.

Use Care When Servicing With Power On. Dangerous voltages or currents may exist in this product. Disconnect power, remove battery (if applicable), and disconnect test leads before removing protective panels, soldering, or replacing components.

To avoid electric shock, do not touch exposed connections.

Kit Description

The 1700F02 portable cabinet is designed to house any 1700 Series or similar--sized instrument for desktop or portable applications. The cabinet has a carrying handle, two stationary rear feet, and two front feet which flip down to provide a comfortable viewing angle.

This document supports Tektronix modifications: 84832, 966, 30094

Products

1700 Series	All S/Ns
WFM1125	All S/Ns
764	All S/Ns

Minimum Tool and Equipment List

Required tools and equipment	Part number
Torx driver (T-15)	N/A

Kit Parts List

Circuit/figure number	Quantity	Part number	Description
---- ----	1 EA	390-0018-xx	CABINET ASSY; CARRYING CASE;1700F02
---- ----	1 EA	200-4853-xx	COVER,FRONT; PROTECTIVE, PC/ABS FR110, W/TAPE; TV GRAY
---- ----	1 EA	062-8897-06	INSTRUCTION,KIT;INSTALLATION;1700F02

Installation Instructions

These instructions are for personnel who are familiar with servicing the product. If you need further details for disassembling or reassembling the product, refer to the appropriate product manual. Contact your nearest Tektronix, Inc., Service Center or Tektronix Factory Service for installation assistance.



CAUTION. *To prevent static discharge damage, service the product only in a static-free environment. Observe standard handling precautions for static-sensitive devices while installing this kit. Always wear a grounded wrist strap, grounded foot strap, and static resistant apparel while installing this kit.*

All Instruments

1. Position the instrument with the front panel down on the work surface. Use a protective pad to prevent front panel damage.
2. Remove the two attaching screws from the upper corners of the instrument rear panel frame, if installed.
3. Slide the cabinet slowly down to rest on the front panel frame simultaneously checking for interference between circuit board mounted components and interconnecting wiring.



CAUTION. *Exercise caution when installing the instrument in the cabinet, especially the 760-series instruments. An electrolytic capacitor mounted on the Main circuit board near the front of the instrument, can be damaged by the leading edge of the cabinet.*

4. Install the two attaching screws removed in Step 2 through the rear flange on the cabinet and into the instrument rear panel frame.
5. Check that all mounting hardware is tight.
6. This completes the installation procedure.

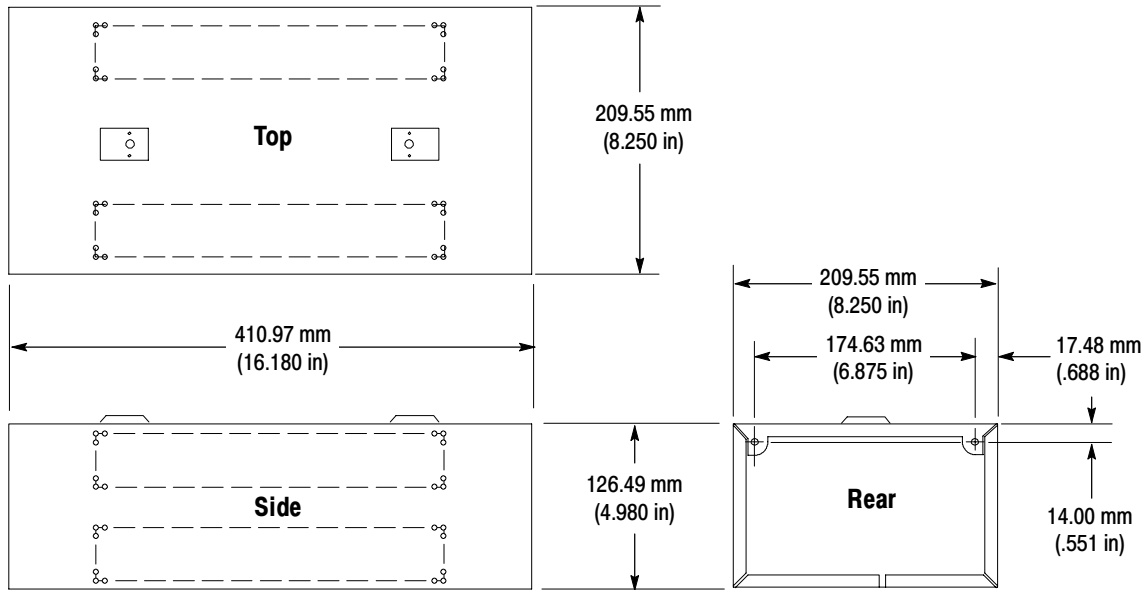


Figure 1: 1700F02 Cabinet dimensions

Replaceable Parts

Fig. & Index No.	Quantity	Part number	Description
2-1	1 EA	367-0536-xx	HANDLE, CARRYING; PULL OUT, BLACK HANDLE, SOFT PLASTIC, W/NICKEL PLATED STEEL END CAPS
-2	2 EA	212-0235-xx	SCREW, M4 X 0.7 X 10MM LONG, T20, STAINLESS STEEL
-3	1 EA	390-0018-xx	CABINET ASSY; CARRYING CASE; 1700F02
-4	1 EA	348-1515-xx	FEET, CABINET; 4 FEET, W/HARDWARE
-5	1 EA	200-4853-xx	COVER, FRONT; PROTECTIVE, PC/ABS FR110, W/TAPE; TV GRAY

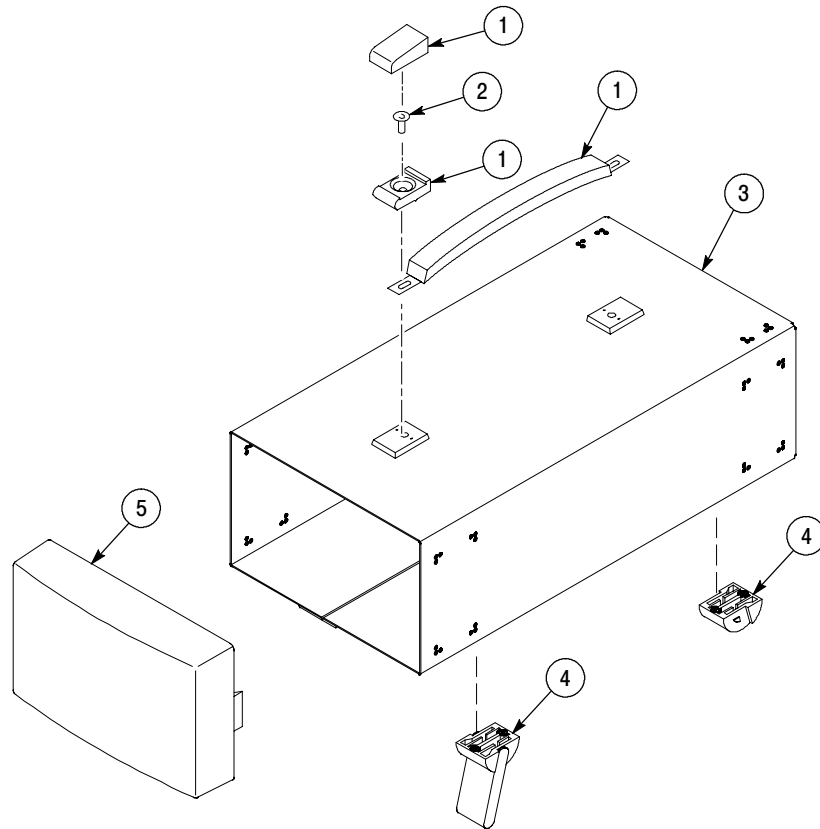


Figure 2: 1700F02 Exploded view

❑ End of document ❑

